

For your colorful life

世界因你而多彩



NINGBO MH INDUSTRY CO., LTD.

Add: #18 Ningnan North Road, Ningbo, China

Tel: 0086-574-27766888, 27766999

Fax: 0086-574-27766000, 27766111

E-mail: mh@mh-chine.com

web: www.mh-chine.com

Socials:

<http://www.facebook.com/ningbomhofficial>

<https://www.youtube.com/c/ChinaMH>



Luggage Accessories

- Trolley Pull Handles
- Plastic Handles
- Casters
- Locks



About us MH



MH office building for 500+ sales and assistants.

Established in 1999, Ningbo MH has been in garment accessories and fabrics business line for 21 years.

Our main products are sewing threads, embroidery threads, ribbons & tapes, embroidery laces, buttons, zippers, interlinings, and other accessories & fabrics. In 2019 the total sales amount was \$486 million, being one of the top suppliers in China for textile industry.

Now MH owns nine factories located in 4 industry zones for thread, lace and ribbon products, being the footstone for MH's dream "kingdom of tailor's material".

MH also set up long-term cooperation relationship with 1520 manufacturers for over 10000 kinds of tailor's material and fabric, work closely together to build a kingdom of tailor's material for customers!

MH has 320 professional sales in team work, and 40 oversea branches with 75 local staff in Africa, Latin America, Eastern Europe, Asia, etc. Each sales team provide value-added services for customers in specified market, so customers could enjoy professional, quick and effective door-to-door service.

MH was regarded as "Top 500 China Service Industry" and "AA Trustworthy Company", and "MH", "TWO BIRDS" trademark get great reputation both in domestic and oversea market.

MH will make continuous efforts to create a kingdom of tailors material, and supply customers with full-category, reasonable price, on-time delivery, and suitable-quality tailor's material and fabric products.

Industry Center



▲ MH industry center in Hunan, 220,000m² workshop



▲ 7,000m² warehouse, over 300*40'HQ/month shipped out here

Luggage Accessories



Trolley Pull Handles

Customized telescopic trolley pull handles: just let us know your need: size, quantity, styles, we'd give you're the best solution with convenient price and suitable quality.

Free customized designs are available based on customer's detail request.

Type: single tube, double tube

Material: aluminum, iron

Section: 2, 3, 4, 5

Tube Color: black, bright silver, grey, matte white

Features:

Iron trolley pull handle: The surface of the iron tube has advanced oxidation resistance treatment to prevent rust, has super load capacity, durable for long lasting use, pulling out or collapsing down smoothly without stuck.

Aluminum alloy trolley pull handle: lightweight, excellent load capacity, and the shaking is controlled within 10mm, and it still works well under violent testing.

High quality, exquisite appearance, professional manufacturing, customized, just for creating your desirable trolley handle.



Single Trolley Pull Handles



20NS-0186



Section: 3

20NS-0200



Section: 3

20NS-0201



Section: 3

20NS-0204



Section: 3

20NS-0198



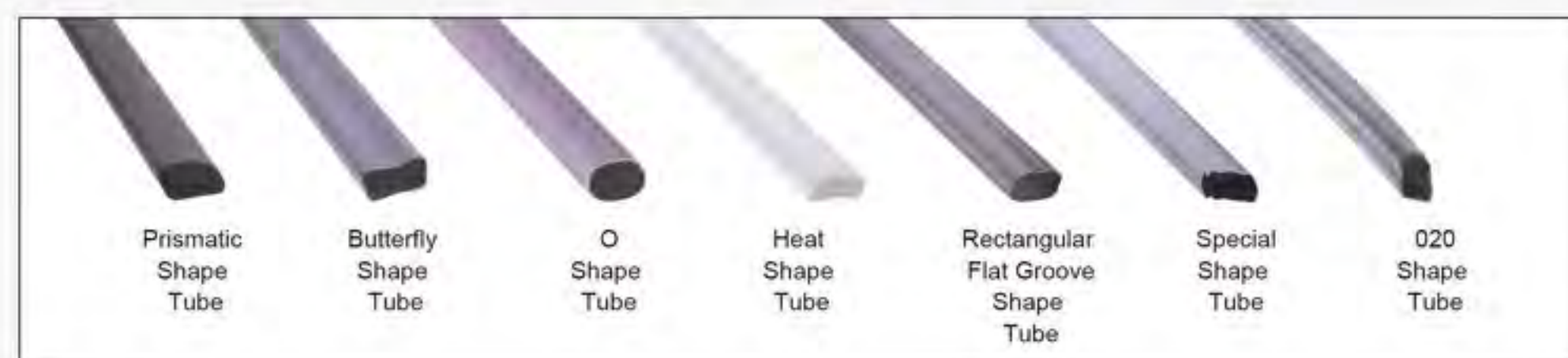
Section: 3

20NS-0197



Section: 3

Customized Tube shapes



Single Trolley Pull Handle



Double Trolley Pull Handle



Double Trolley Pull Handle



Double Trolley Pull Handle



Double Trolley Pull Handle



Double Trolley Pull Handle



Trolley Casters

Caster: orientation caster, universal caster

Application: used for suitcase, trolley, tool case, cosmetic cases and others.

Wheel frame material: made of PP plastic, has excellent moisture resistance, light weight, and super rigidity.

Wheel tire: made of PVC, PU, TPE or other materials.

Features: MH caster is non-toxic and harmless.

It can effectively reduce noise, has excellent wear resistance, high load capacity, push and pull smoothly and effortlessly.



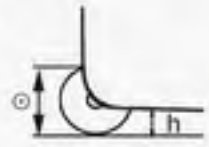
Hardcase Casters



Hardcase Casters



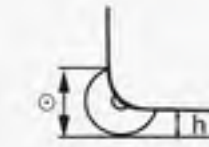
20NS-0114
 ⌀: 52mm
 h: 60mm



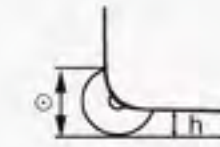
20NS-0115
 ⌀: 52mm
 h: 60mm



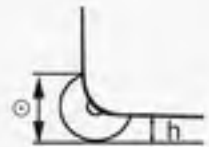
20NS-0118
 ⌀: 55mm
 h: 50mm



20NS-0119
 ⌀: 55mm
 h: 65mm



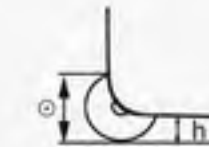
20NS-0109
 ⌀: 55mm
 h: 65mm



20NS-0112
 ⌀: 55mm
 h: 50mm



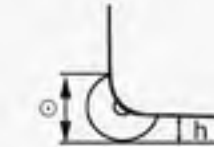
20NS-0111
 ⌀: 55mm
 h: 65mm



20NS-0094
 ⌀: 70mm
 h: 20mm



20NS-0096
 ⌀: 70mm
 h: 15mm



Hardcase Casters

Hardcase Casters

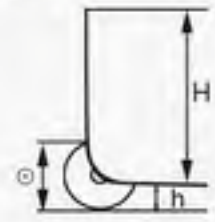
 <p>20NS-0086 ⌀: 50mm h: 65mm</p> 	 <p>20NS-0097 ⌀: 40mm h: 45mm</p> 	 <p>20NS-0095 ⌀: 43mm h: 55mm</p> 
 <p>20NS-0093 ⌀: 48mm h: 70mm</p> 	 <p>20NS-0100 ⌀: 48mm h: 60mm</p> 	 <p>20NS-0101 ⌀: 48mm h: 55mm</p> 
 <p>20NS-0099 ⌀: 50mm h: 60mm</p> 	 <p>20NS-0103 ⌀: 50mm h: 65mm</p> 	 <p>20NS-0102 ⌀: 50mm h: 65mm</p> 

Hardcase Casters

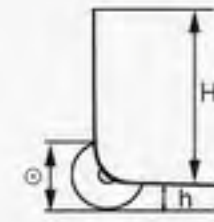
 <p>20NS-0098 ⌀: 42mm h: 45mm</p> 	 <p>20NS-0092 ⌀: 48mm h: 70mm</p> 	 <p>20NS-0091 ⌀: 50mm h: 55mm</p> 
 <p>20NS-0088 ⌀: 52mm h: 65mm</p> 	 <p>20NS-0120 H: 150mm ⌀: 135mm h: 30mm</p> 	 <p>20NS-0106 H: 55mm ⌀: 60mm h: 90mm</p> 
 <p>20NS-0090 H: 170mm ⌀: 65mm h: 25mm</p> 	 <p>20NS-0104 H: 170mm ⌀: 70mm h: 25mm</p> 	 <p>20NS-0105 H: 170mm ⌀: 75mm h: 20mm</p> 



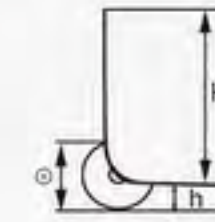
20NS-0123
 H: 95mm
 ⌀: 52mm
 h: 70mm



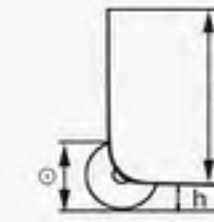
20NS-0124
 H: 90mm
 ⌀: 55mm
 h: 70mm



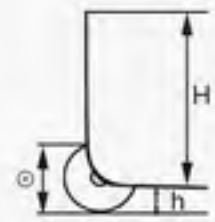
20NS-0121
 H: 130mm
 ⌀: 48mm
 h: 60mm



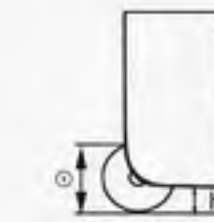
20NS-0122
 H: 140mm
 ⌀: 55mm
 h: 70mm



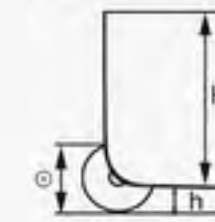
20NS-0107
 H: 150mm
 ⌀: 55mm
 h: 63mm



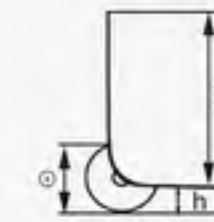
20NS-0108
 H: 145mm
 ⌀: 55mm
 h: 70mm



20NS-0087
 H: 125mm
 ⌀: 50mm
 h: 60mm



20NS-0089
 H: 55mm
 ⌀: 48mm
 h: 65mm



Plastic Handles

Material: high-quality PVC, PP or other plastic. It's comfortable to hold, sturdy, and humane rebound to reduce the burden of travel.
 Styles, colors, and sizes can be customized.
 The handle can be freely matched with plastic or zinc alloy base.



20NS-0168



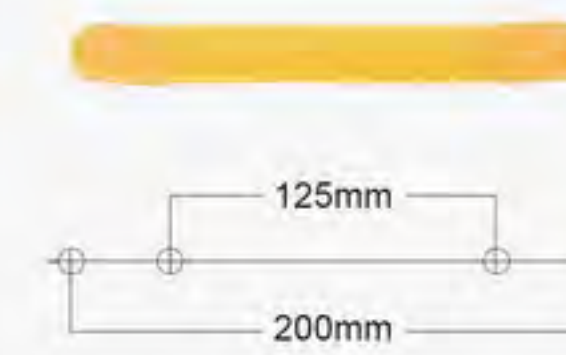
20NS-0173



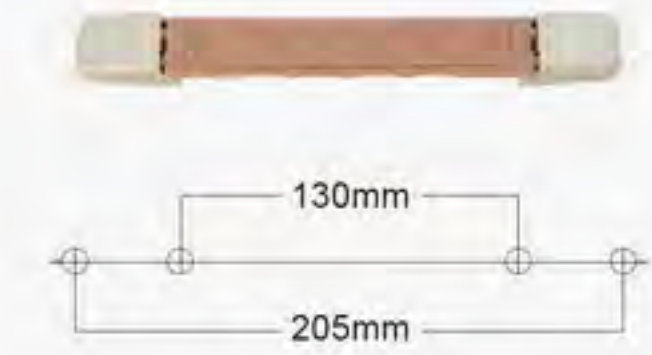
20NS-0216



20NS-0163



20NS-0174



20NS-0167



20NS-0164



20NS-0169



20NS-0172



20NS-0166



20NS-0170



20NS-0161



20NS-0165



20NS-0162



20NS-0171

Plastic Handles

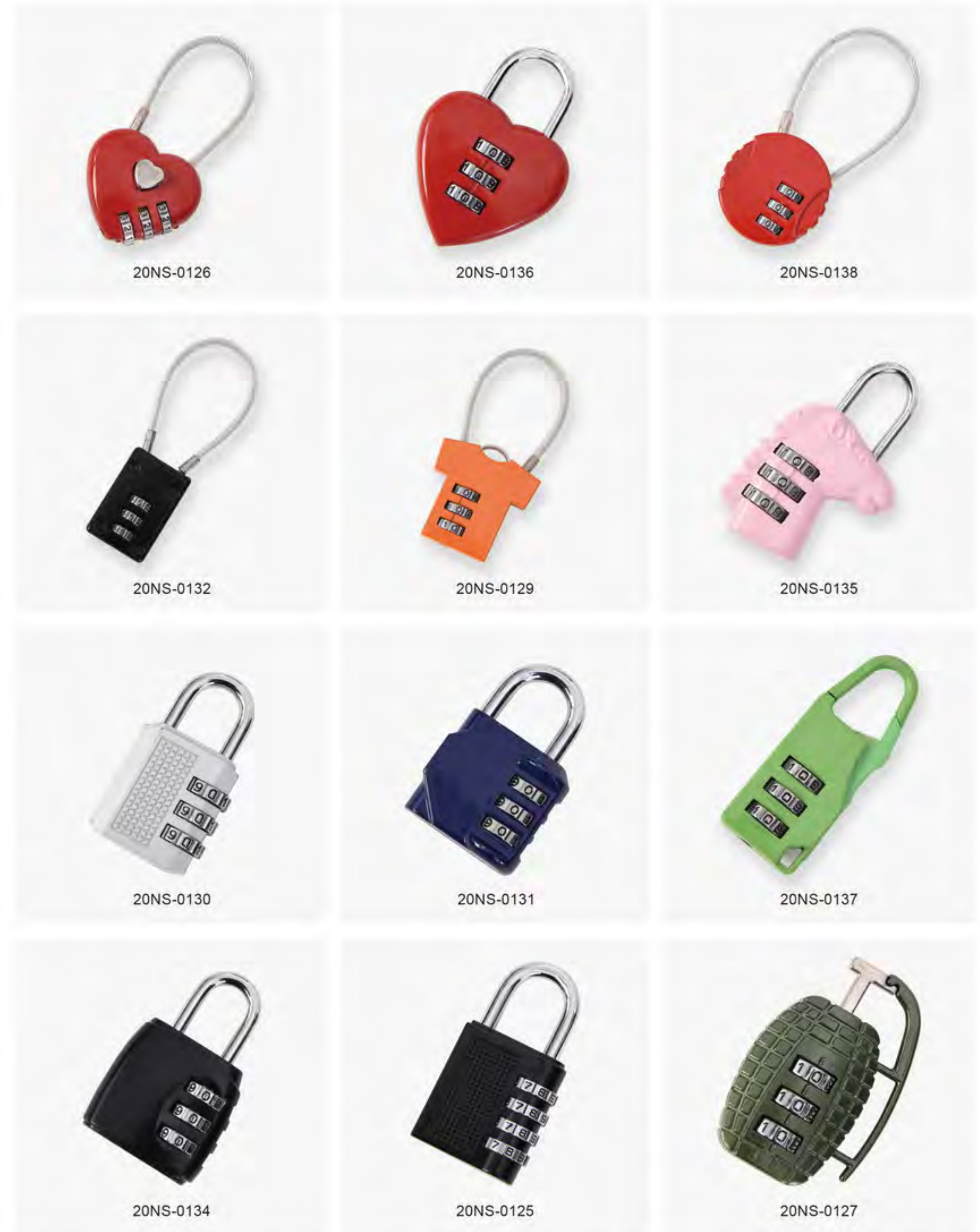
Locks

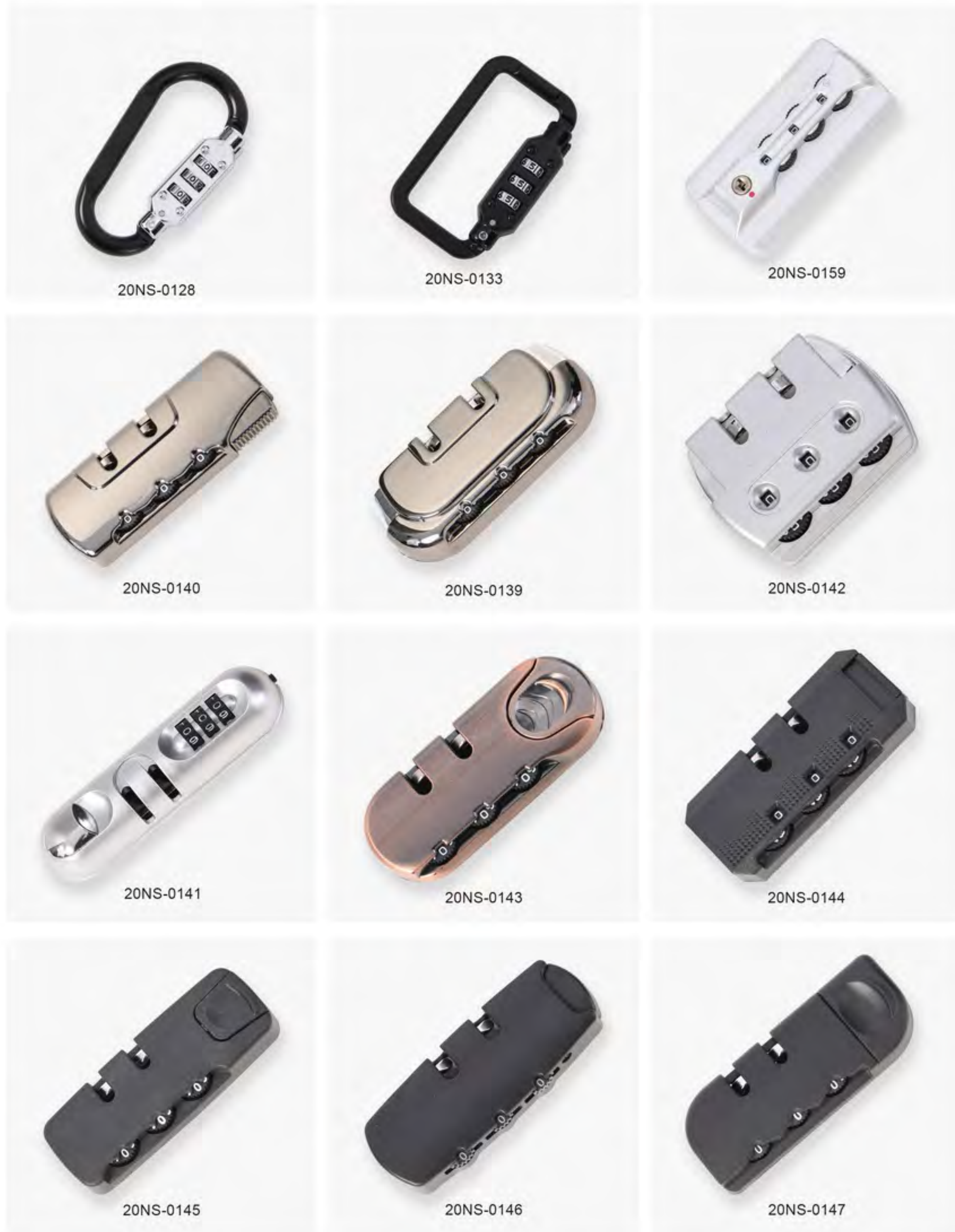
Zinc alloy padlock: The lock body is made of zinc alloy, has smooth hand feeling and attractive shape. The three-digit code is anti-theft and safe. It can be held by one hand and is convenient to travel. It is very convenient to travel without a key. Fashion shape and color can be customized.

TSA customs lock: Consignment security check can be quickly passed, convenient and fast. The security agency can open the luggage for inspection, and avoid violent opening. After inspection and relock it without causing damage to the luggage itself. It well increases travel safety and convenience.



Locks





Shaped Plastic Boning

Material: PVC, PE, EVA or other plastic materials.

Color: can be customized.

Application: suitable for handbags, luggage, leather goods, school bags, shoes and hats, sofa edging, car seat, and others.



PP/PE Lining Board

Size, thickness and specification can be customized.

MH PP/PE lining board has the advantages of high heat resistance and cold resistance, excellent rigidity and tenacity, and strength.

Application: suitable for trolley cases, luggage, handbags, hats, baby carriages, furniture, and others.

