

MATTRESS ACCESSORIES

About us

Ningbo MH, established in 1999, specializes in garment accessories and fabrics. Over 24 years, it has forged strong business ties with over 150 countries, achieving a sales figure of \$683 million in 2023, making it a leading supplier of garment accessories and fabrics in China. MH main products include sewing threads, embroidery threads, zippers, ribbons & tapes, embroidery laces, buttons, interlinings, mattress accessories, sofa accessories, curtain accessories, and a variety of fabrics such as TC poplin, taffeta, pongee, T/R, mini-matt, oxford, school check, satin, mesh, jersey, fleece, stretch fabric, etc.

MH operates nine factories across three industrial zones, focusing on threads, laces, webbing & tape, laying the foundation for its vision to become the "kingdom of tailor's material." These facilities span approximately 300,000m² and employ 3,000 workers.

MH boasts a dedicated sales team of 500 professionals and maintains 52 overseas branches with 105 local staff in Africa, Latin America, Eastern Europe, and Asia. This global network ensures MH offers professional, swift, and efficient door-to-door services, tailored to meet the specific needs of each market.

MH is committed to continuous innovation in products and services, internal management optimization, and customer value creation. It has received accolades such as "Zhejiang Top 100 Service Industry," "Zhejiang Made Leading Export Enterprise," and "AA Trustworthy Company," and is recognized as a National Embroidery Fabric Product Development Base. Additionally, its trademarks "MH" and "TWO BIRDS" are celebrated by customers and consumers alike.

MH values the trust of its customers profoundly, upholding a customer-first principle. It pledges to supply a comprehensive range of products at reasonable prices, guarantee on-time delivery, and maintain the appropriate quality for its garment accessories and fabrics.



CONTENTS



<http://www.mh-chine.com>

- 01** • Mattress
- 03** • Pocket Coil Spring Unit
- 06** • Bonnell Spring Unit
- 08** • Bonnell Spring
- 09** • Edge Support Spring
- 10** • Border Frame
- 11** • Quilting Fabric
- 12** • Quilting Fabric Pattern
- 14** • Mattress Border
- 17** • Mattress Edge Banding Tape
- 19** • Mattress Zipper(Zipper Long Chain)
- 20** • Mattress Felt
- 21** • Mattress Clip & Staple
- 23** • Mattress Staple

Mattress





Pocket Coil Spring Unit

Each spring in the pocketed coil system is individually encased, allowing the springs to operate independently. This design enhances the system's ability to resist disturbances, provides a quiet operation, and conforms to the natural curves of the human body.





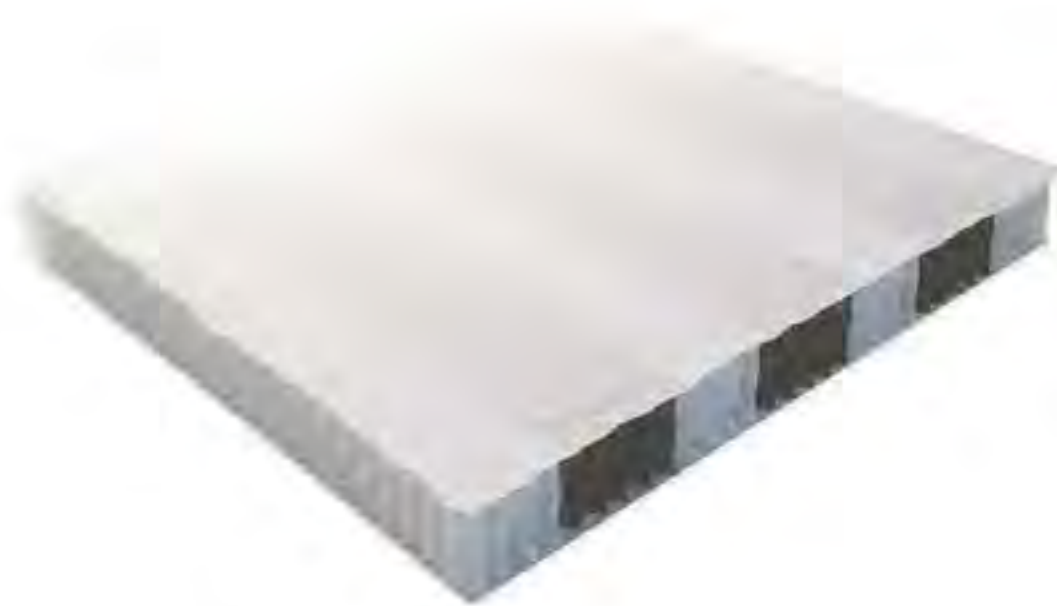
3-Zone Pocket Spring Unit

It's designed to sense and respond to the body's contours, allowing muscles to fully relax during deep sleep



5-Zone Pocket Spring Unit

Compared to 3-zone pocket spring unit, 5-zone pocket spring unit are tailored to meet diverse needs regarding mattress conformity to the body's curves, ensuring that muscles are relaxed across different demographics.



7-Zone Pocket Spring Unit

Ergonomically designed to fully conform to the body's curves, the 7-zone pocket spring unit provides even support tailored to the specific needs of the head, neck, shoulders, waist, hips, calves, and ankles, offering comfortable support for a restful sleep.

Pocket Coil Spring Unit

Pocket Springs-Reinforced Edges

The reinforced edge pocket spring design utilizes three rows of thicker gauge springs on both sides of the mattress, ensuring a more robust mattress edge.



Pocket Springs-with AP Fabric

AP fabric pocket springs are known for their durability, high quality, good breathability, and high comfort level.



Bonnell Spring Unit

These bonnell springs are made from high-carbon precision steel and undergo high-temperature heat treatment to enhance the mattress's resilience and support. This process improves the comfort of the mattress and extends its lifespan.



Bonnell Spring Unit



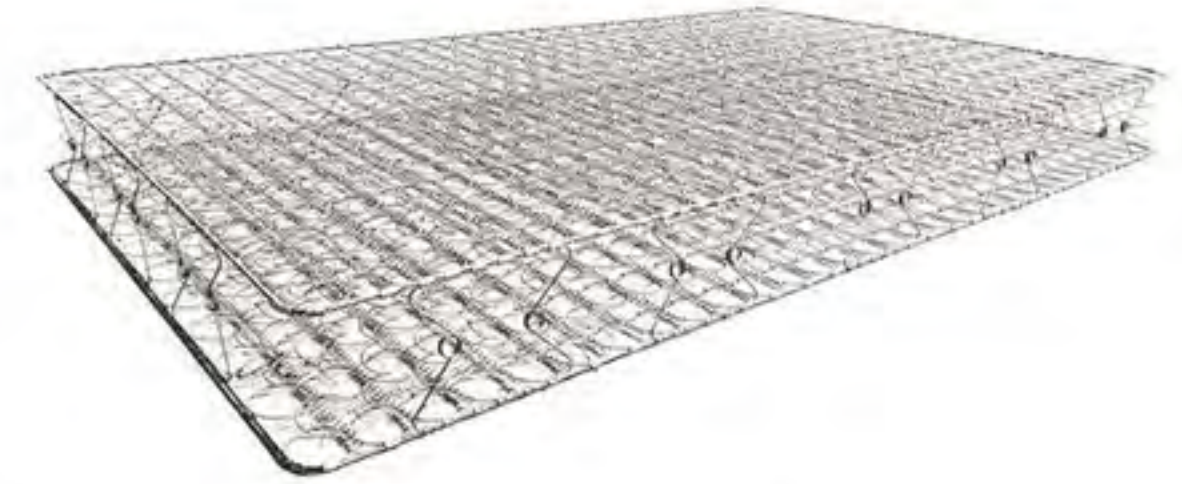
Bonnell Spring Mattress Net - Compressible Packaging

Compressible packaging can significantly save on shipping costs.



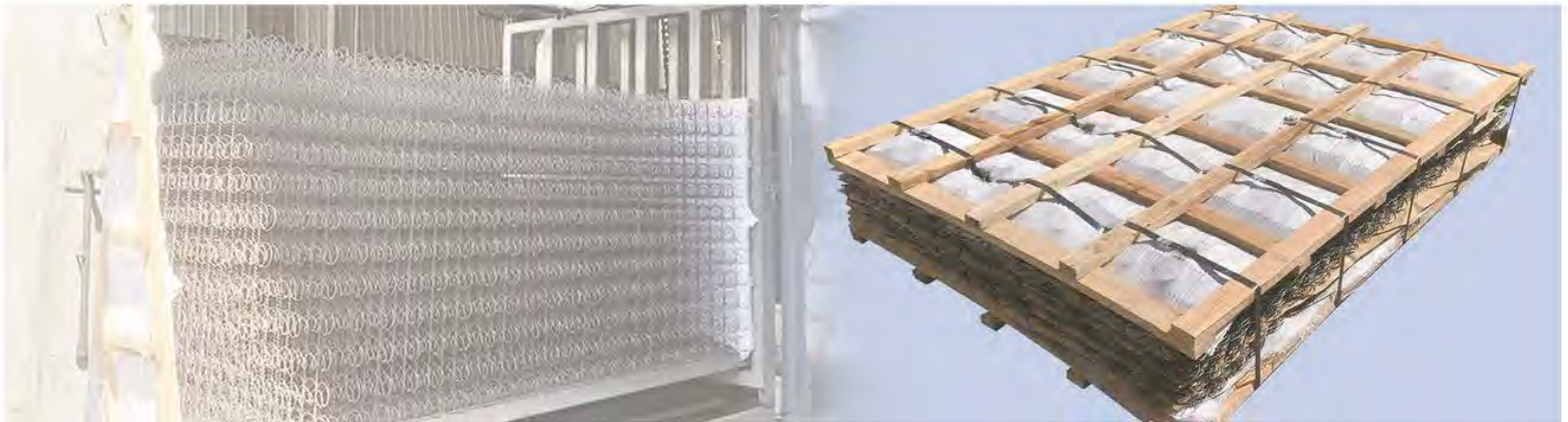
Bonnell Spring Mattress Net - Iron Edge

Adding iron edge to the bonnell spring mattress net enhances the support along the mattress edges, thereby extending its lifespan.



Bonnell Spring Mattress Net - Support Reinforcement

The bonnell spring mattress net improves edge support, preventing sagging and increasing the mattress's durability.



Some of the customized specifications we produced:

Countries	Head Diameter (cm)	Wire Diameter (mm)	Center Diameter(cm)	Height (cm)	Turns
Greece	9.16	2.4	4.0	14	5
Saudi Arabia	8.5	2.4	4.0	14	5
UAE	8.0	2.4	5.6	15	5
Kazakhstan	7.0	2.3	2.8	17	6
	8.0	2.2	4.0	15	5
Uzbekistan	6.5	2.2	3.0	17	6
	6.5	2.2	3.8	11	5
Australian	8.1	2.3	4.0	15	5
India	8.6	2.3	4.8	15	5
Malaysia	7.2	2.2	3.5	20	6
Indonesia	8.4	2.25	5.0	15	5
South Africa	8.35	2.2	4.0	17	5
Brazil	9.0	2.2	5.2	12.5	5
Peru	9.0	2.3	4.6	17	5
Customized Optional	2.1-2.4	65-92	110-200	15	4-7



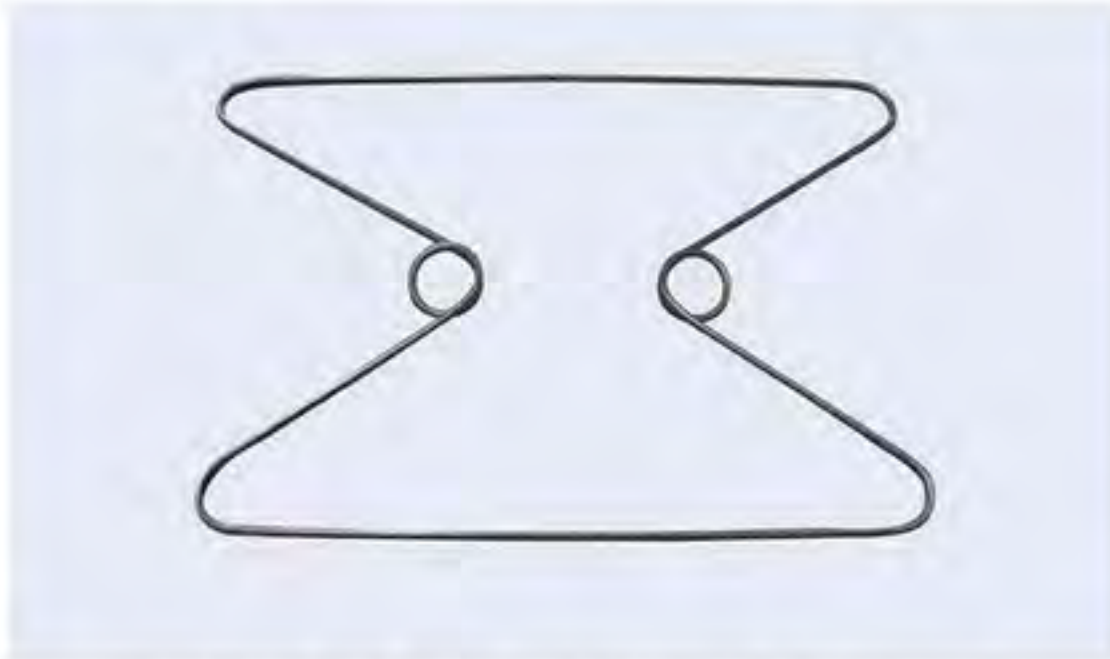
Edge Support Spring

Support spring size

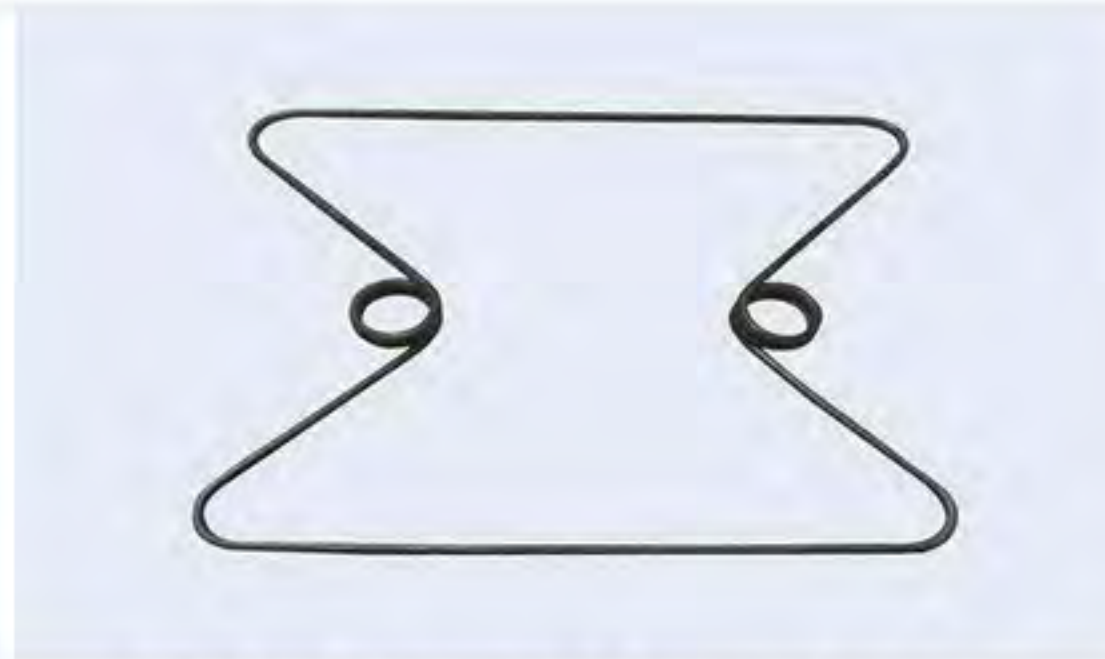
Wire Diameter: 2.85-3.0mm

Height: 15-20cm

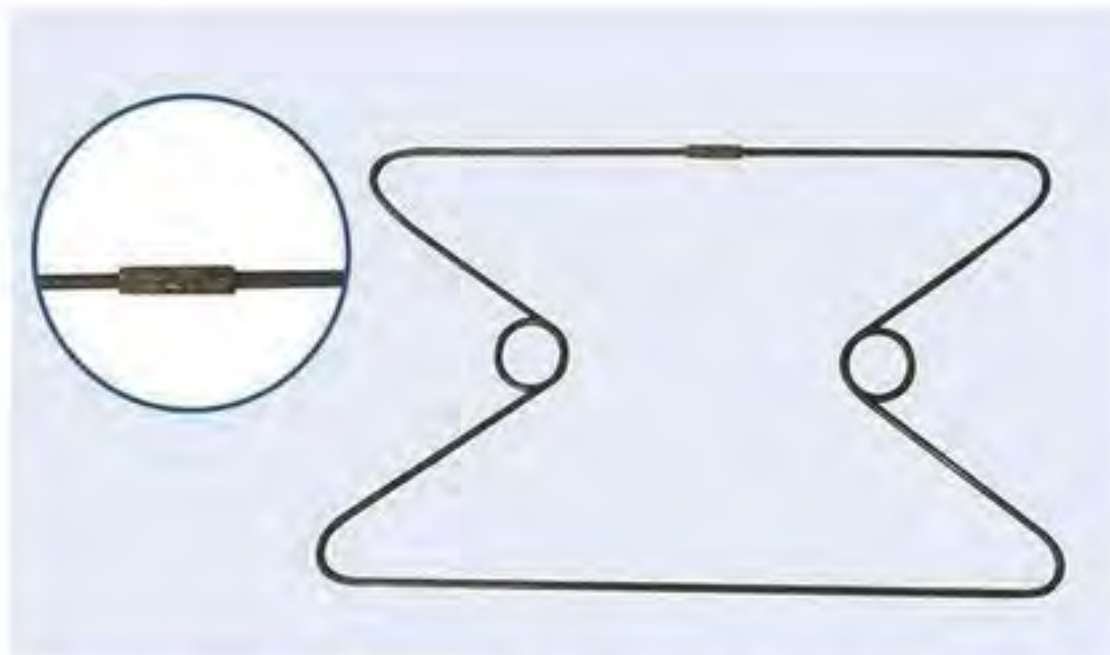
Ring diameter: 2-3cm(one/two)



#Butterfly Support Spring-one ring



#Butterfly Support Spring-two rings



#Butterfly Support Spring with tube clip



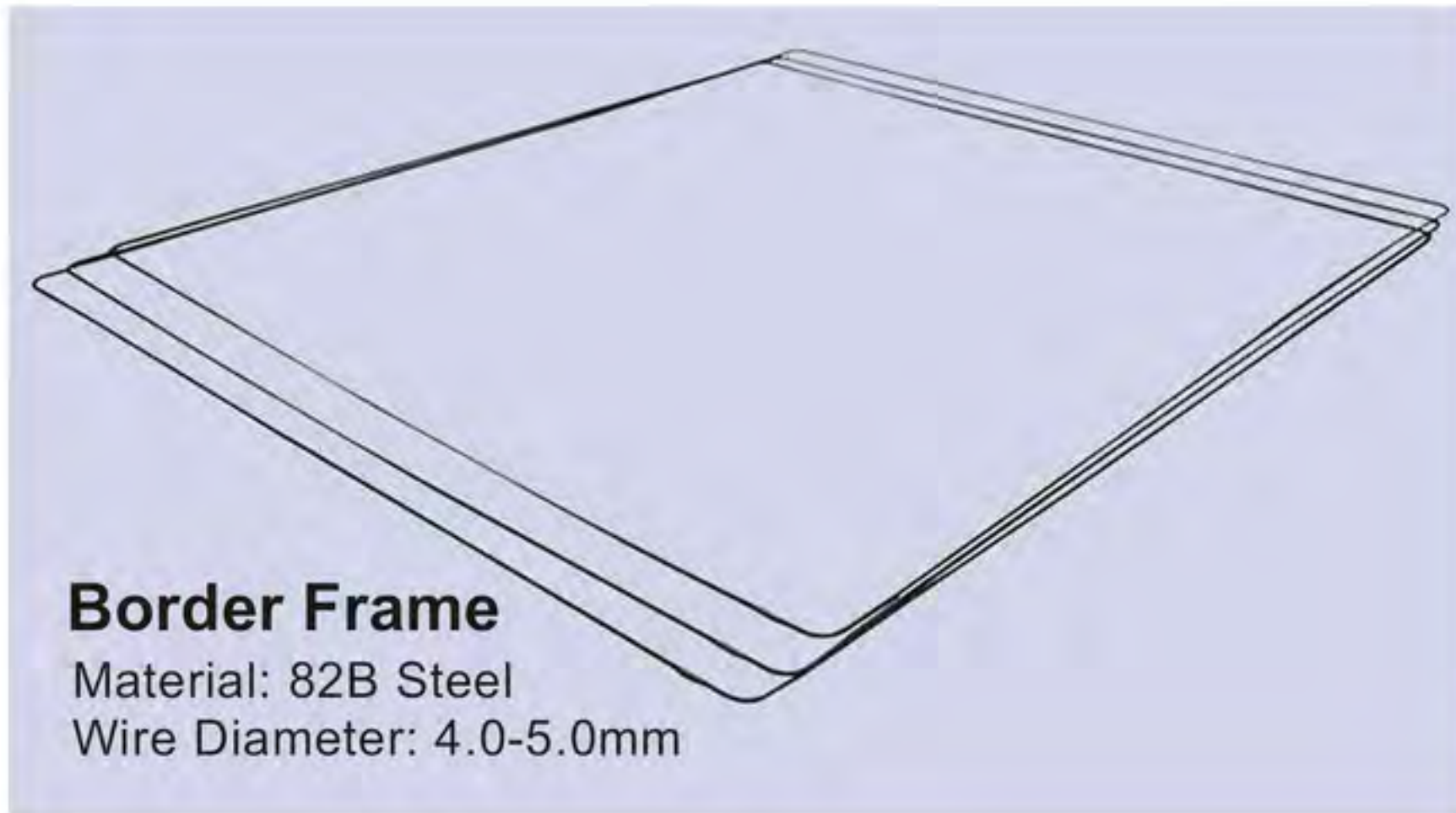
#Z' Shape Support Spring



Border Frame



<http://www.mh-chine.com>



Border Frame

Material: 82B Steel
Wire Diameter: 4.0-5.0mm



High Carbon Steel Wire

Common Models: 65#, 70#, 82B
Used for mattress spring and border frame.



Quilting Fabric

Multi-needle Quilting Mattress

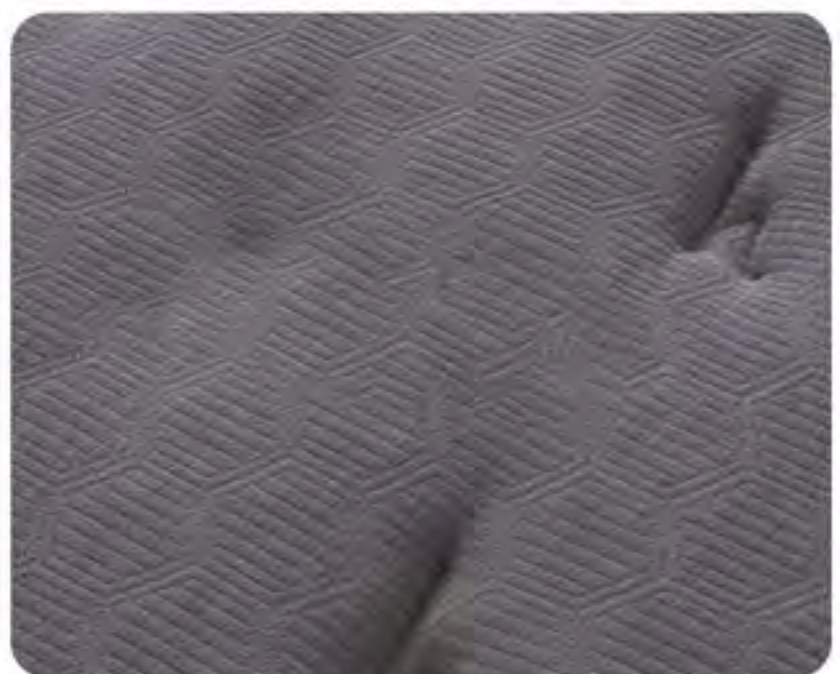
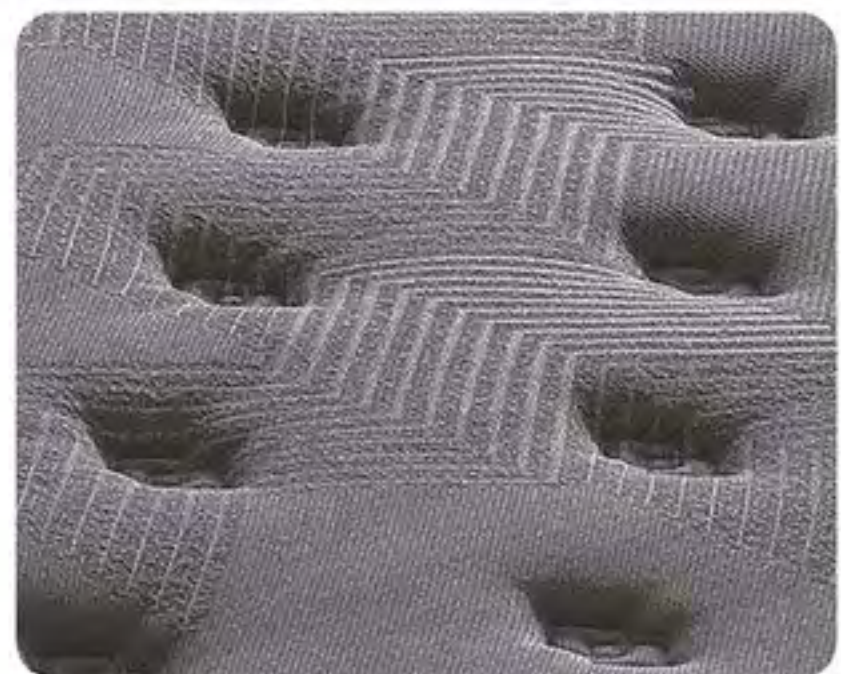
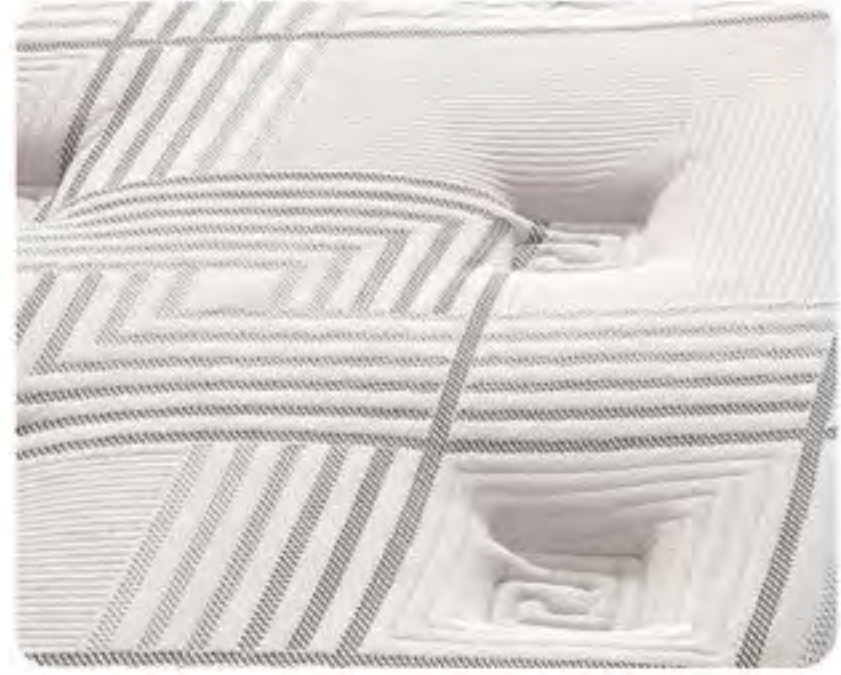
The multi-needle quilting process for mattresses is based on quilting machines. It involves multiple needles that can work with various materials to quilt different patterns. This quilting enhances the comfort of the mattress and is cost-effective.



The single-needle quilting process is based on quilting machine and involves independent stitching by a single needle head. Paired with various materials, this technique allows for the creation of diverse patterns that enhance the comfort and elevate the quality of mattresses.



Quilting Fabric Pattern



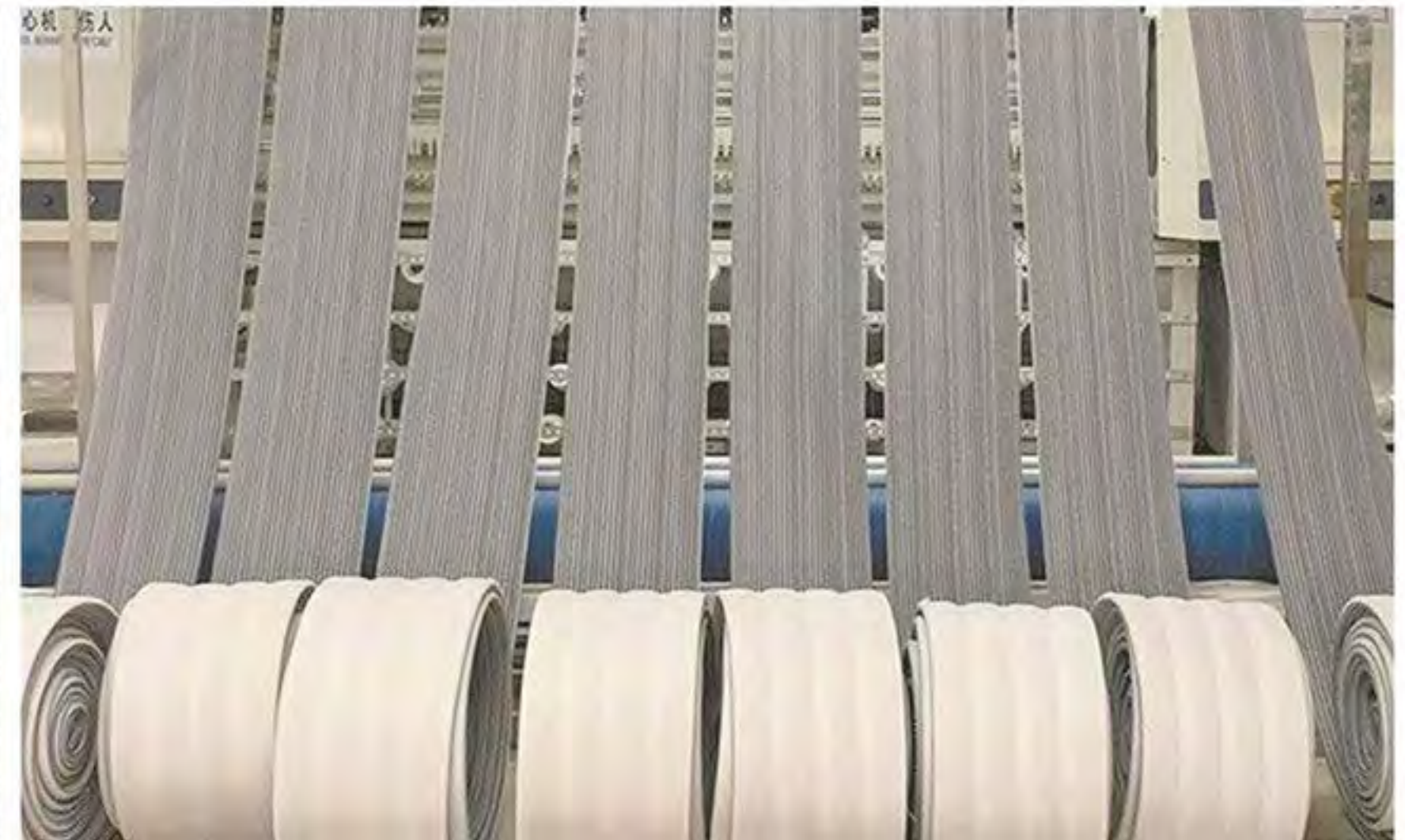
Quilting Fabric Pattern



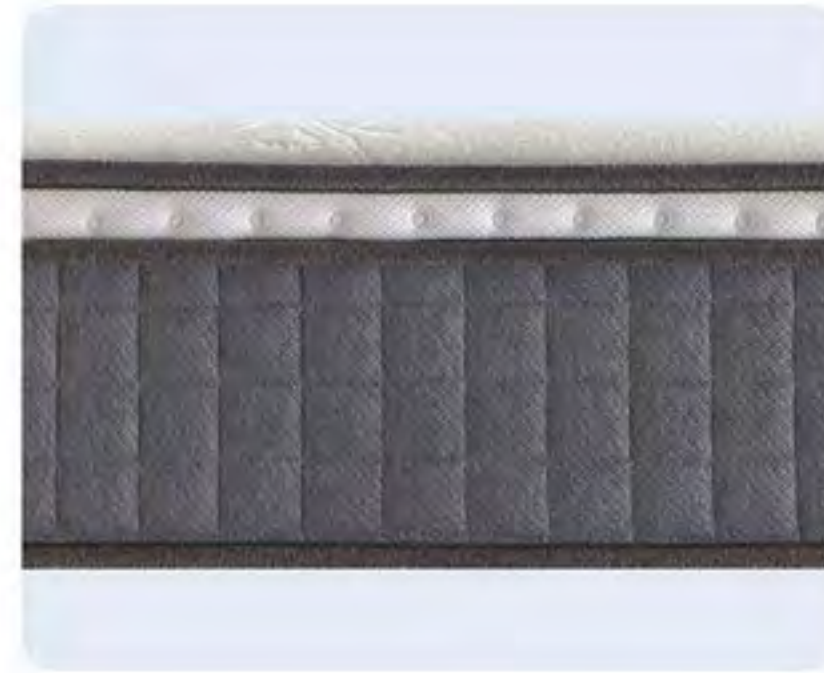
Mattress Border



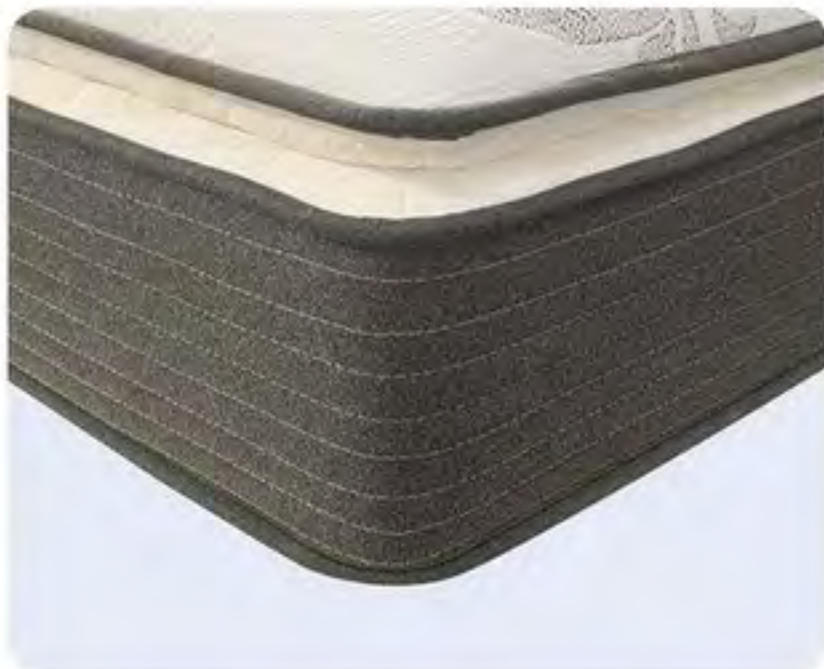
<http://www.mh-chine.com>



Mattress Border

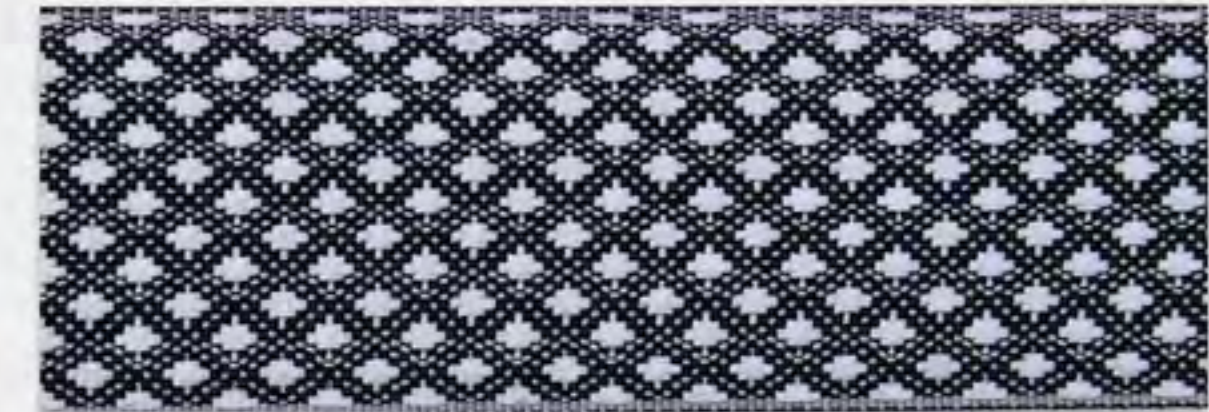


Mattress Border



Mattress Edge Banding Tape

Material: polyester, polypropylene, metallic yarn
Product process: knitting, woven, jacquard
Width: 38mm, 40mm, 42mm
Packaging: 100m/roll, 432yds/bobbin



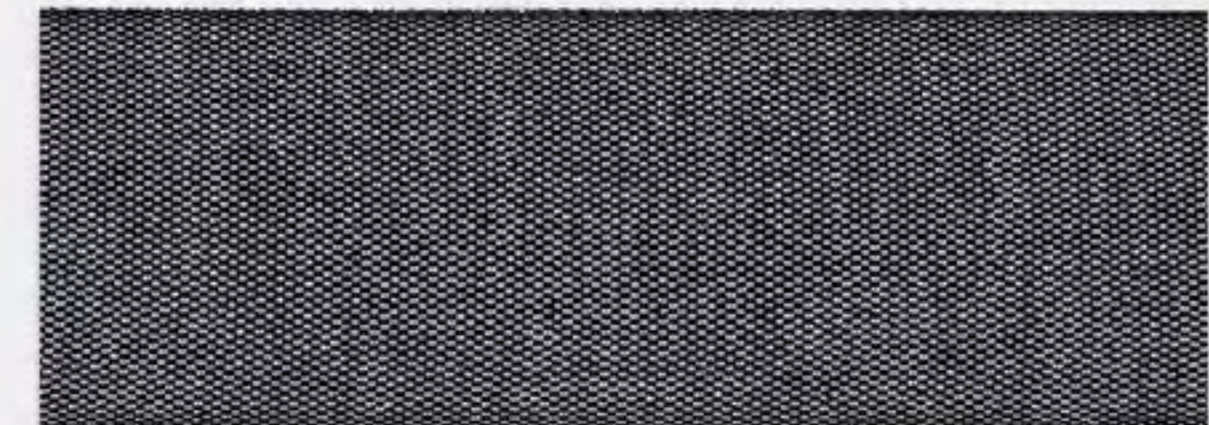
6135-0017, Width: 37mm, Weight: 19.5g/m



6135-2001, Width: 40mm, Weight: 12.8g/m



6135-0016, Width: 40mm, Weight: 18.1g/m



6135-0015, Width: 40mm, Weight: 7.7g/m

Mattress Edge Banding Tape



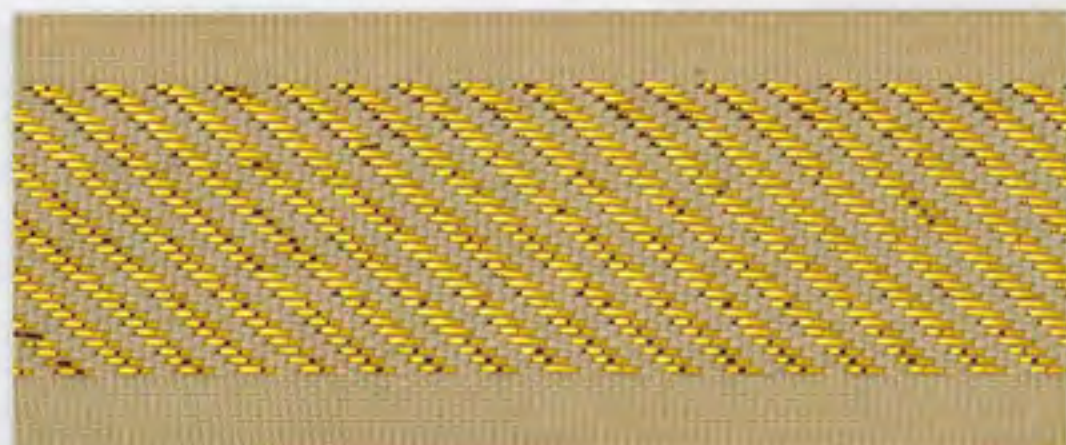
6135-0014, Width: 35mm, Weight: 7.4g/m



6135-0011, Width: 40mm, Weight: 7.7g/m



6135-0031, Width: 40mm, Weight: 5.7g/m



6135-0012, Width: 40mm, Weight: 9.5g/m



6135-0010, Width: 30mm, Weight: 5.8g/m



6135-0027, Width: 40mm, Weight: 15g/m



6135-0025, Width: 40mm, Weight: 14.8g/m



6135-0034, Width: 40mm, Weight: 11.5g/m



6135-0026, Width: 36mm, Weight: 8.2g/m



6135-0028, Width: 40mm, Weight: 14.7g/m



6135-0029, Width: 36mm, Weight: 7g/m



6135-0033, Width: 38mm, Weight: 9.3g/m

Mattress Zipper(Zipper Long Chain)



Mattress Felt



<http://www.mh-chine.com>



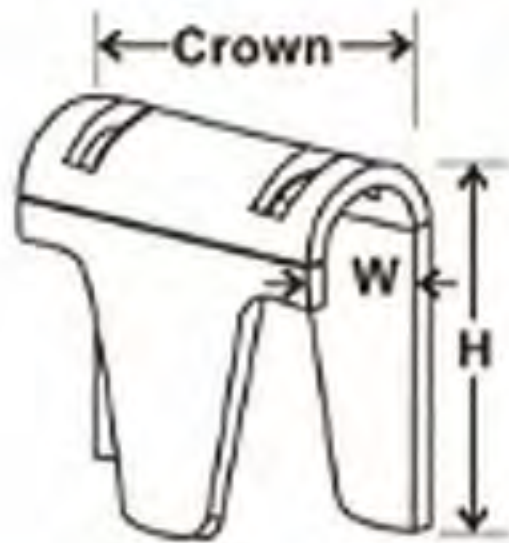
Mattress Felt

Color: White, black

Mattress felt is used for mattress cushion layer, providing protection and enhancing durability and tear resistance.

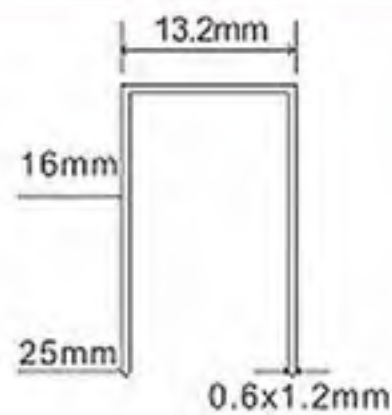


Mattress Clip & Staple



Specifications:

Series	Model	Crown	Height	Inside Width
M46	CL-14	11.0mm	13.5mm	6.2mm
	CL-34	21.8mm	21.8mm	6.2mm
M66	CL-71	18.5mm	18.5mm	6.2mm
	CL-72	17.0mm	17.0mm	6.2mm
	CL-72	18.0mm	18.0mm	6.2mm

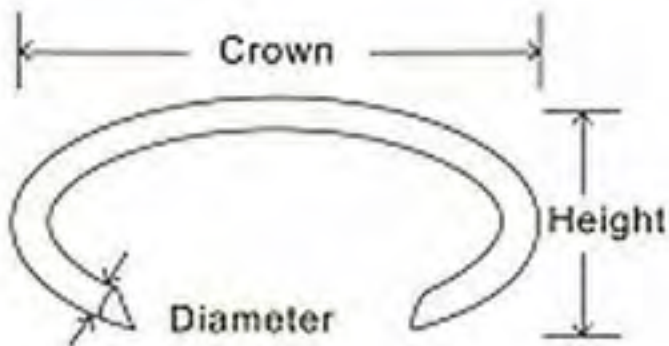


Model	Crown	Height	Thickness	Width
1222J	13.2mm	20	0.6mm	1.2mm

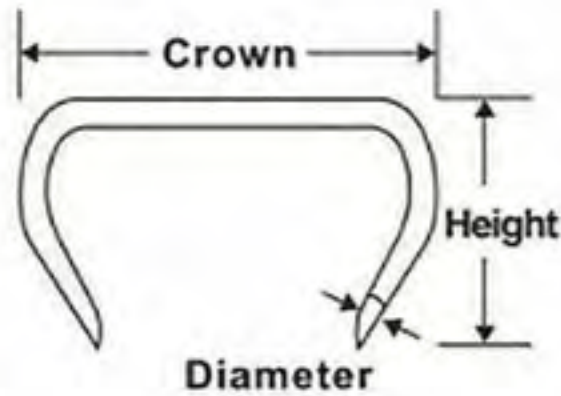
Mattress Clip & Staple



<http://www.mh-chine.com>

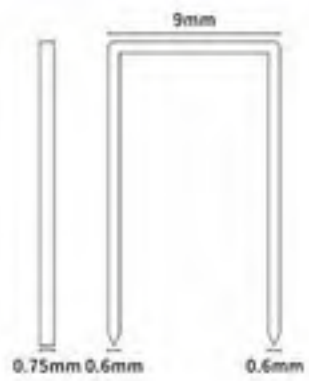
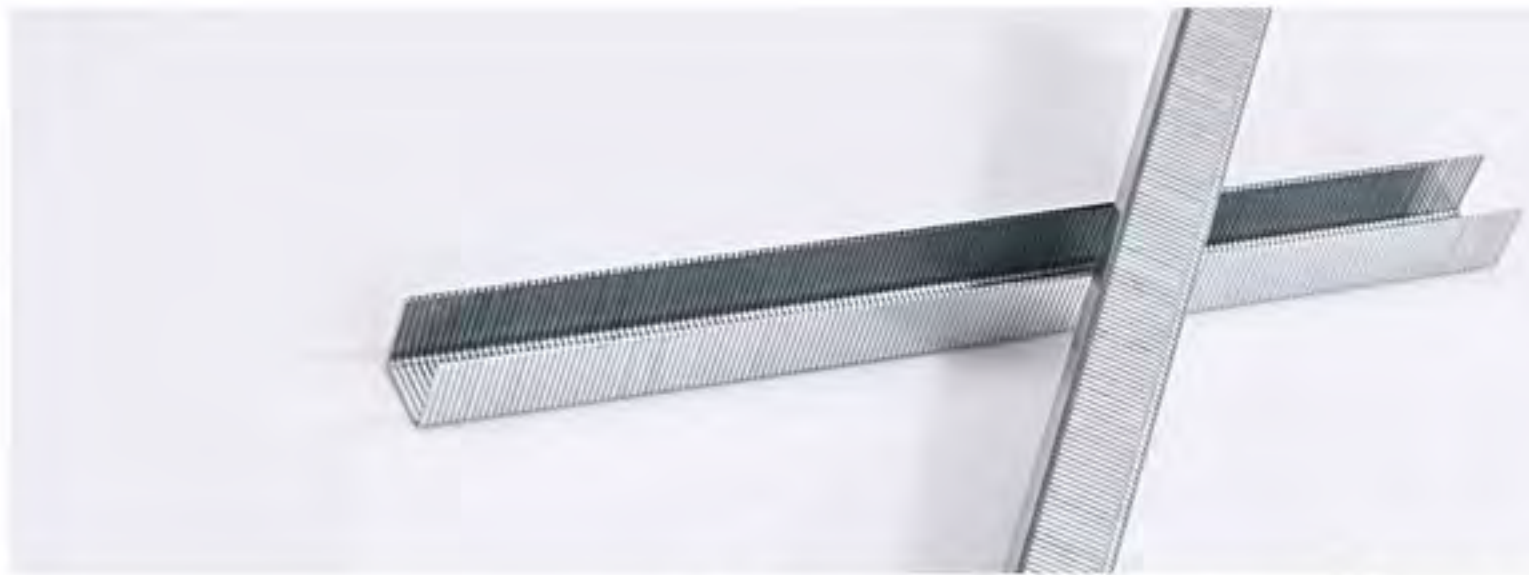


Model	Crown	Height	Diameter
C17	16.9mm	8.7mm	1.6mm
C24	23.9mm	12mm	1.8mm

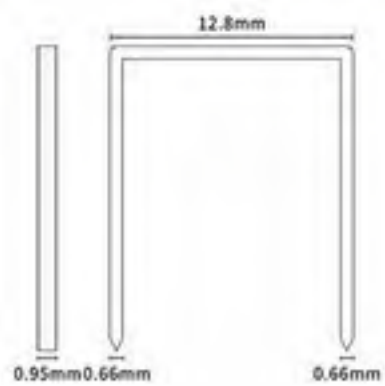


Model	Crown	Height	Diameter
HR22	21.3mm	9.5mm	1.8mm

Mattress Staple

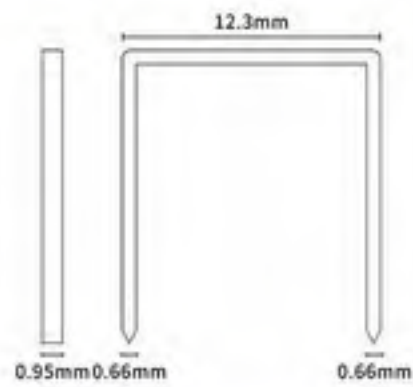


Series	Model	Crown	Height	Inside Width
Staple	71 Series	9mm	4mm	8.8mm
			8mm	
			12mm	

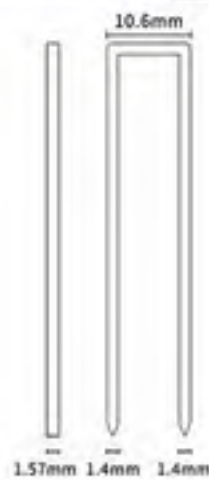


Series	Model	Crown	Height	Inside Width
Staple	80 Series	12.8mm	6mm	11.48mm
			10mm	
			16mm	

Mattress Staple



Series	Model	Crown	Height	Inside Width
Staple	84 Series	12.3mm	6mm	10.98mm
			10mm	
			14mm	



Series	Model	Crown	Height	Inside Width
Staple	N Series	10.6mm	22mm	7.8mm
			38mm	
			50mm	

For your colorful life

世界因你而多彩



NINGBO MH

NINGBO MH INDUSTRY CO., LTD.

Add: #18 Ningnan North Road, Ningbo, China

Tel: 0086-574-27766888, 27766999

Fax: 0086-574-27766000, 27766111

E-mail: mh@mh-chine.com

Website: www.mh-chine.com

Socials:

<http://www.facebook.com/ningbomhofficial>

<https://www.youtube.com/c/ChinaMH>